

Global House • Orgreave Drive
Handsworth • Sheffield S13 9NR
T0114 288 95 95 Esales@global-windows.co.uk

www.global-windows.co.uk

Proud members of
Checkatrade
Where reputation matters



GLOBAL

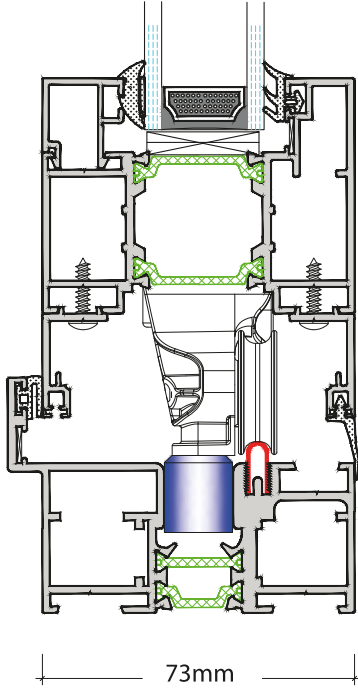
WINDOWS DOORS CONSERVATORIES

THE FORGE BIFOLDING DOOR

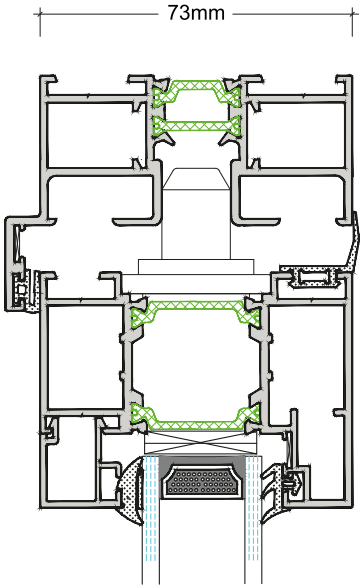


THE FORGE

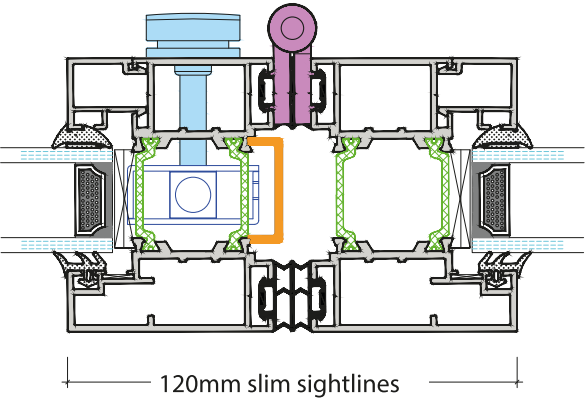
BIFOLDING DOOR



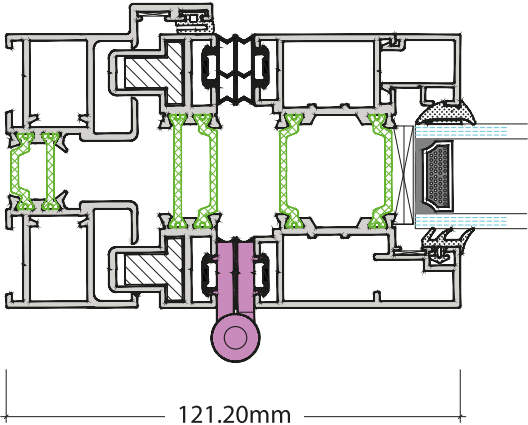
Standard Threshold Detail



Head Detail



Intermediate detail integrated lock



Outerframe detail with adjustable jambs



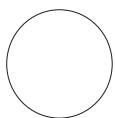
THE FORGE IS A CLASSIC BI-FOLDING DOOR, THAT'S ANYTHING BUT BASIC!

If you're looking for a mid-range high performance door, The Forge Bi-Folding door by Global Windows is a true contender. Offering sightlines of just 120mm along with adjustable jambs, this smooth bottom running system comes fitted with bespoke designed hardware.

The doors can open in or out, the sash and outer frame are both 70mm in depth which gives excellent thermal values and is ideal for the replacement market. What's more, The Forge Bi-Folding Door is stocked in 3 colours and also comes with a 10 Year Manufacturer's Guarantee.

Technical Information

- ✓ 120mm Slim sightlines
- ✓ Adjustable jambs
- ✓ Ultra-smooth bottom running
- ✓ Multiple threshold options
- ✓ 3 stocked colours, RAL 7016m, RAL 9010, RAL 9005m
- ✓ Large thermal break for increased thermal values
- ✓ Intermediate doors have concealed shoot bolt locking
- ✓ Key locking shoot bolt optional
- ✓ Opening either in or out
- ✓ Dual Colour & Special Finishes available
- ✓ Ideal for new build or replacement installation
- ✓ Document Q Compliant,
- ✓ BS6375 Part 1 Weather Testing
- ✓ PAS 24 available



White
RAL 9010



Matt Anthracite Grey
RAL 7016



Matt Black
RAL 9005





GLOBAL

WINDOWS DOORS CONSERVATORIES

Global Windows, Global House, Orgreave Drive Handsworth, Sheffield S13 9NR

Freephone 0800 610 1234 Office 0114 288 95 95

Email sales@global-windows.co.uk

www.global-windows.co.uk

